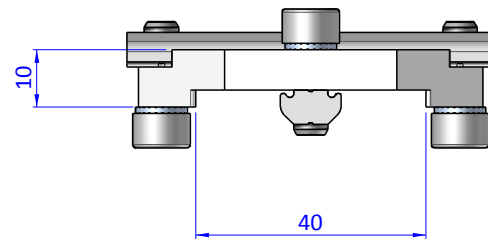
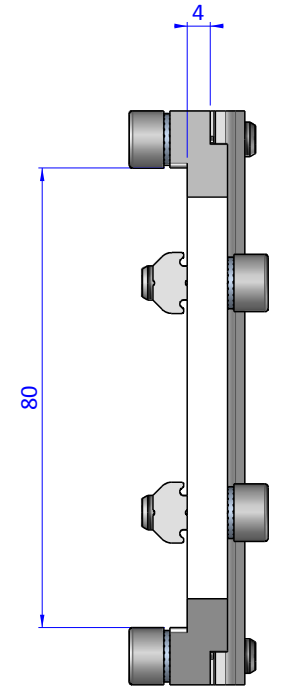
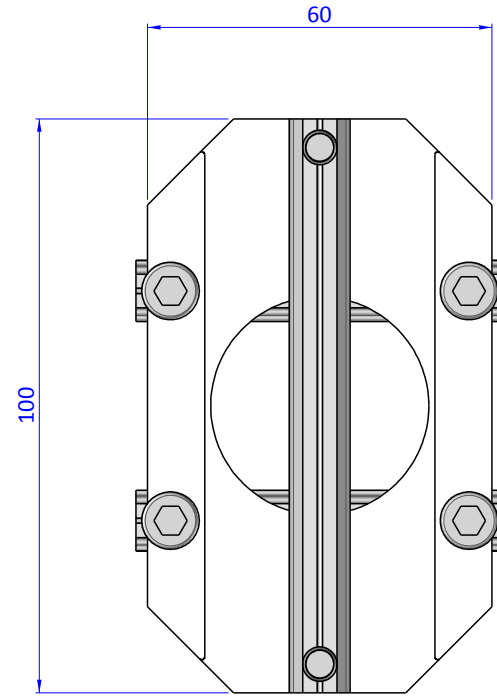
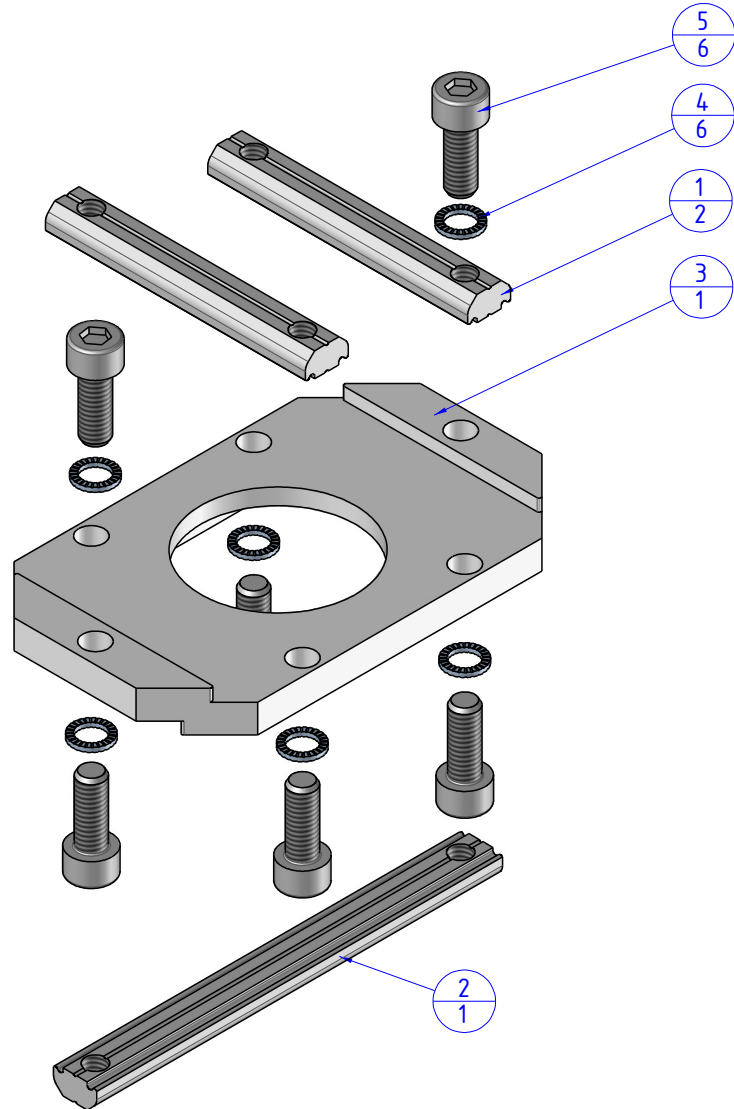


THE PROPERTY OF THE DRAWING IS ESTABLISHED BY LAW. IT IS FORBIDDEN TO PRODUCE OR SHOW IT TO THIRD PARTY, WITHOUT A WRITTEN AGREEMENT.

Item	Name	Q. ty
1	CA.GWP.6.52	2
2	CA.GWP.6.90	1
3	KPLJU.8040	1
4	R.6.SCH	6
5	V.TCE6x16	6



Format A3

UNI 936-76

		DESIGNED FROM	REVIEW
		FP SERVICES	A
GENERAL TOLERANCE	DESCRIPTION	DATE	WEIGHT
UNI - ISO 2768	CA.KPLJU.8040	30/04/2016	0,156kg
CLASSE f		CODE	CA.KPLJU.8040